

# INSTALLATION INSTRUCTIONS - ENGLISH



## Manual Transfer Interlock Kit

DI-000-LITLK-05A

No. LITLK

### IMPORTANT SAFETY INSTRUCTIONS - READ ALL INSTRUCTIONS BEFORE USING.

#### WARNING

- **TO AVOID FIRE, SHOCK OR DEATH: TURN OFF POWER SUPPLYING THIS EQUIPMENT, AND CONFIRM POWER IS OFF,** before installing, removing or servicing this equipment.
- This equipment **MUST BE** installed and serviced by an electrician.
- Replace all doors and covers before connecting power to this equipment.
- To be installed and/or used in accordance with electrical codes and regulations.
- To be used in permanently installed and listed enclosures only.

#### TRADEMARK DISCLAIMER

Use herein of third party trademarks, service marks, trade names, brand names and/or product names are for informational purposes only, are/may be the trademarks of their respective owners; such use is not meant to imply affiliation, sponsorship, or endorsement.

#### LIMITED PRODUCT WARRANTY

For Leviton's limited product warranty, go to [www.leviton.com](http://www.leviton.com). For a printed copy of the warranty you may call 1-800-323-8920.

## INTRODUCTION

This Instruction sheet provides steps for installing the Manual Transfer Interlock Kit. The kit includes a hold down breaker bracket, generator mechanical interlock bracket along with mounting screws and a hole pattern drill template.

The hold down breaker bracket is used to secure a generator supply branch breaker onto the interior assembly. The generator mechanical interlock bracket slides between the handle of the utility main breaker and the handle of generator supply breaker to prevent both from being switched ON at the same time.

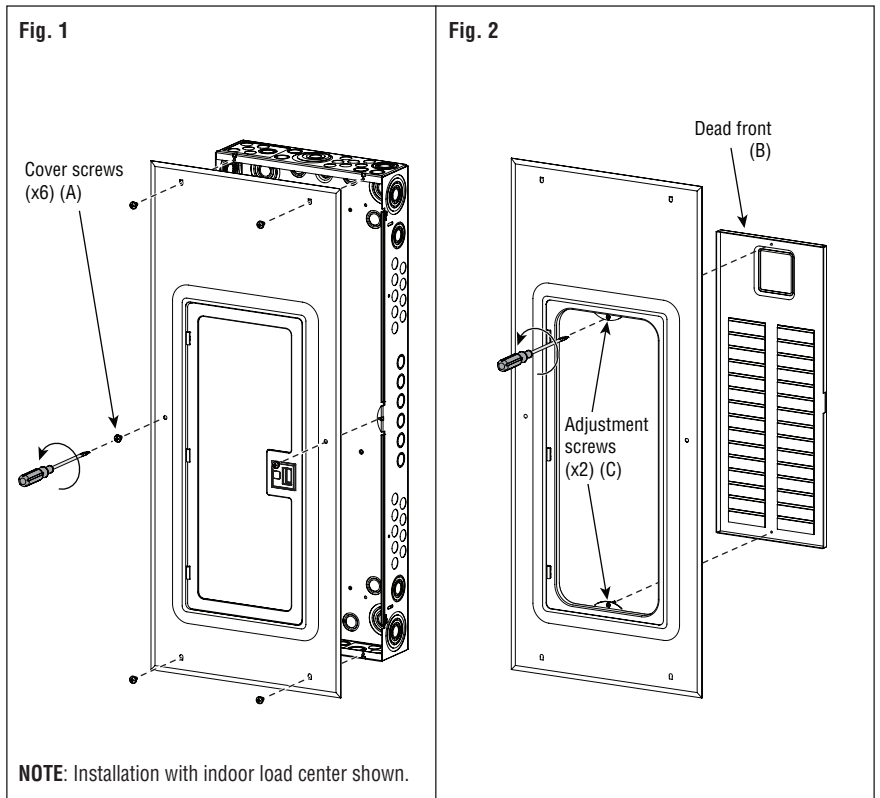
The hole pattern drill template will be used to drill mounting holes for the generator mechanical interlock bracket.

## INSTALLATION

**WARNING: TO AVOID FIRE, SHOCK OR DEATH: TURN OFF POWER SUPPLYING THIS EQUIPMENT, AND CONFIRM POWER IS OFF,** before installing, removing or servicing this equipment.

**NOTE:** Installation with indoor load center shown.

1. Remove the six (x6) **cover screws (A)** from the panelboard and lift off cover assembly (*fig. 1*).  
**NOTE:** Keep screws to re-attach the cover after installation.
2. Separate the **dead front (B)** from the cover by backing out the two (x2) captive **adjustment screws (C)** (*fig. 2*).
3. Install the **hold down bracket (D)** and secure to the interior base with a **#10 thread cutting screw (E)** (provided). Tighten to 20 in-lbf (2.2 N-m) (*fig. 3*).
4. Lay the **dead front (B)** flat with the back facing down. Place the **hole pattern drill template (F)** on the **dead front (B)** between the top of the **main breaker knockout (G)** and the top of the **branch breaker twistouts (H)** and secure in place with tape (*fig. 4*).



5. Drill two **mounting holes (I)** ( $\phi 0.203$  in. or No. 6) for the generator mechanical interlock bracket in the **dead front (B)** as marked on the hole pattern drill template. Clean any burrs from other side (fig. 5).
6. Secure the generator **mechanical interlock bracket (J)** to the **dead front (B)** with two **#8-32 x 1/4 screws (K)** (provided). Screws must enter from the back, through the **dead front (B)** and into the generator **mechanical interlock bracket (J)** (fig. 6).
7. Re-attach the **dead front (B)** to the cover and then the cover to the panelboard.

## SAVE THESE INSTRUCTIONS

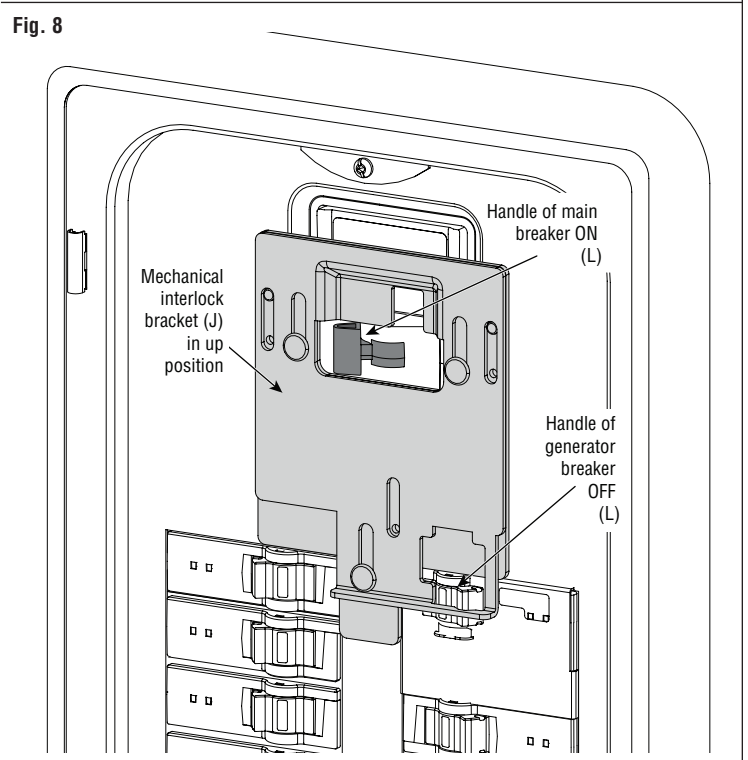
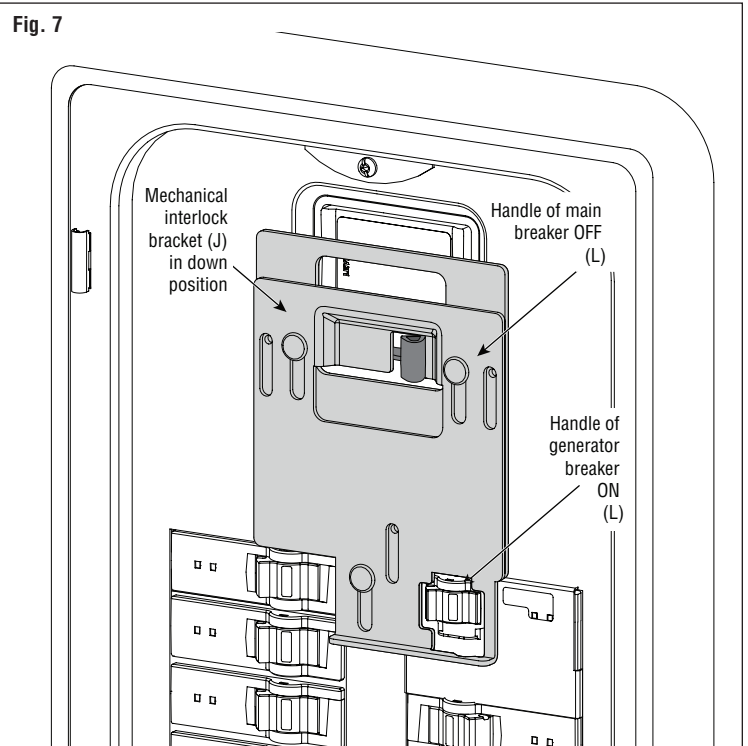
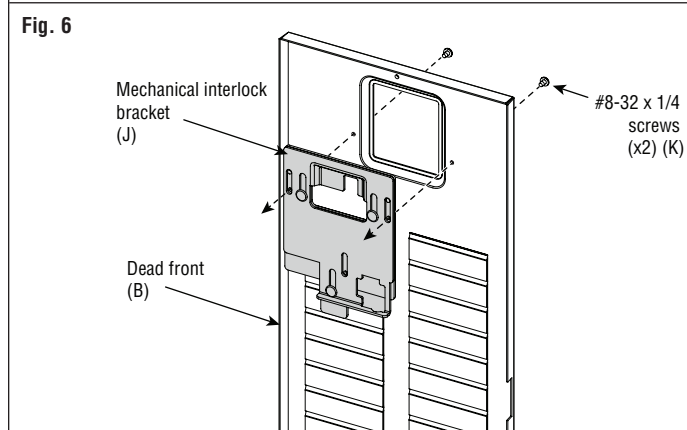
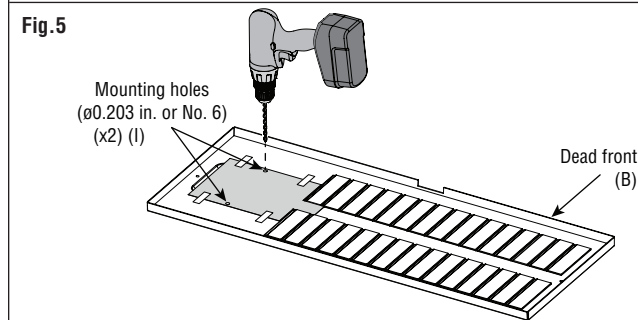
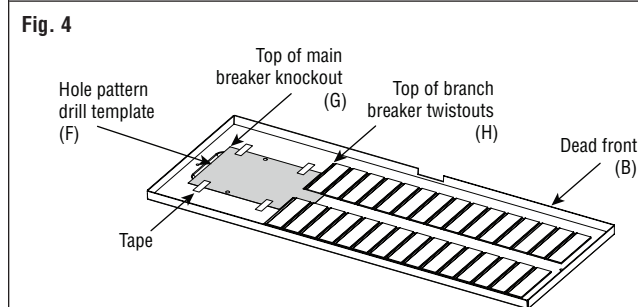
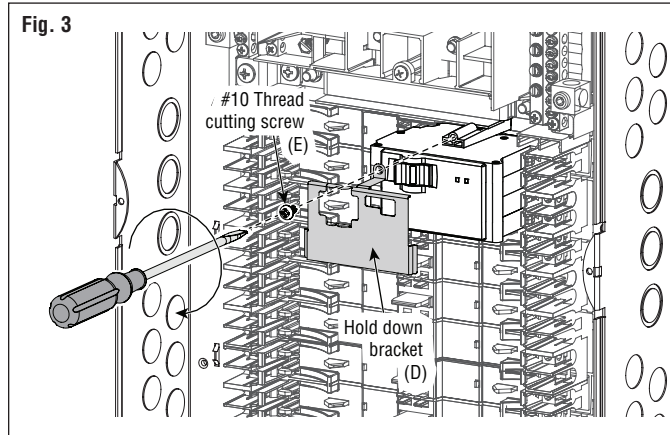
## OPERATION

### Switching from utility power to generator power (Fig. 7):

1. Move the **handle of the main breaker (L)** to the OFF position.
2. Slide the top of the generator **mechanical interlock bracket (J)** down.
3. Move the **handle of the generator breaker (M)** to the ON position.

### Switching from generator power to utility power (Fig 8):

1. Move the **handle of the generator breaker (M)** to the OFF position.
2. Slide the top of the generator **mechanical interlock bracket (J)** up.
3. Move the **handle of the main breaker (L)** to the ON position.



# HOLE PATTERN DRILL TEMPLATE

## GABARIT DE PERÇAGE

## PLANTILLA DE PERFORACIÓN CON PATRÓN DE ORIFICIOS



DG-000-LITLK-25A

For use with catalog number LITLK / Pour le no de catalogue LITLK  
Para utilizarse con el catálogo número LITLK

Cut along dotted line / Couper le long de la ligne pointillée / Cortar a lo largo de la línea punteada

