



## Generator Interlock Kit: FAC-GE200ZUL



**WARNING:** Hazard of electrical shock or burn  
Turn off power supplying this equipment before working inside



### General

To comply with the National Electrical Code and Underwriters Laboratories, the Generator Interlock kit must be installed in accordance with the information contained in this instruction manual and by a qualified electrical contractor and/or licensed electrician.

### Introduction

This bulletin provides instructions for installing the interlock and circuit breaker retainer on the 150-200A rated Model 1 GE Meter Socket Load Centers: TSM415CSCU, TSM420CSCU, TSMF415CSCU, TSMF420CSCU, TSMF415CSFL, and TSMF420CSFL.

### Installation

#### Step 1: Install the Retainer

1. Uninstall the dead front, and retain the mounting screws.
2. Install the 2-pole back-fed main breaker in the position shown in Figure 1.
3. Install the conductors into the 2-pole back-fed main breaker. Check breaker for wire range and tightening torque information.
4. Loosen the copper strap mounting screw.
5. Install the retainer and secure using the nuts provided in the kit (see Figure 1). Tighten to 35 lbs-in (4 N-m).

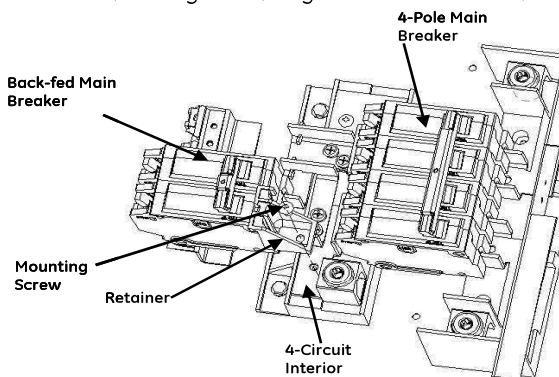


Figure 1: Main Breaker Retainer

#### Step 2: Drill the Mounting Holes on Dead front

A drilling template is provided to ensure proper alignment of the interlock

1. Locate dead front removed earlier in Step 1.
2. Insert the folds of the template in the knockout of 4-pole main breaker and slide towards the branch breaker knockouts until it ceases to slide further (see Figure 2).
3. Drill the pilot holes through the two identified holes in the template using a 3/32" (0.093") drill bit.
4. Remove the drill template and re-drill the two pilot holes with 1/4" (0.250") drill bit.
5. Remove any burrs resulting from drilling the holes.

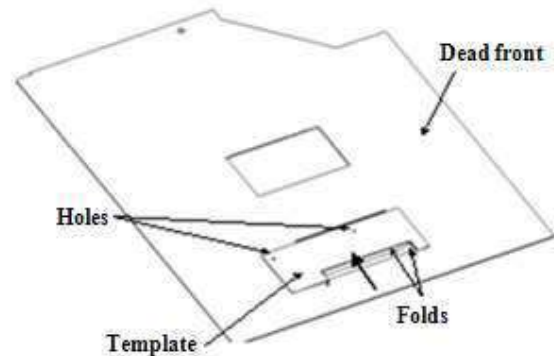


Figure 2: Mounting Hole Template

#### Step 3: Mounting the Interlock

1. Place the interlock on the front side of the dead front, over the mounting holes drilled in Step 2.
2. Mount the interlock using the screws, washers, lock washers and nuts provided in the kit (see Figure 3). Tighten to 45 lbs-in (5 N-m).
3. Make sure both the 4-pole main and the 2-pole back-fed main breakers are in the **OFF** position before installing the dead front.

4. Apply critical load stickers next to appropriate branch breakers for generator loads.

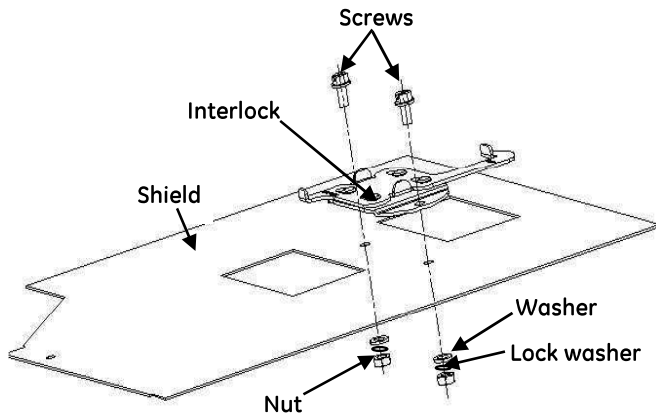


Figure 3: Interlock Installation

### **Interlock Operation**

#### **To energize the panel from Generator Power:**

1. Turn **OFF** the 4-pole main breaker
2. Turn **OFF** all the branch circuit breakers
3. Move the sliding plate on the interlock towards branch breakers using the tabs provided
4. Turn **ON** the 2-pole back-fed main breaker
5. Turn **ON** the branch circuit breakers supplying critical circuits

#### **To energize the panel from Utility Power:**

1. Turn **OFF** the 2-pole back-fed main breaker
2. Turn **OFF** all branch circuit breakers
3. Move the sliding plate on the interlock towards branch breakers using the tabs provided
4. Turn **ON** the 4-pole main breaker
5. Turn **ON** the branch circuit breakers

These instructions do not cover all details or variations in equipment nor do they provide for every possible contingency that may be met in connection with installation, operation, or maintenance. Should further information be desired or should particular problems arise that are not covered sufficiently for the purchaser's purposes, the matter should be referred to the GE Company.

